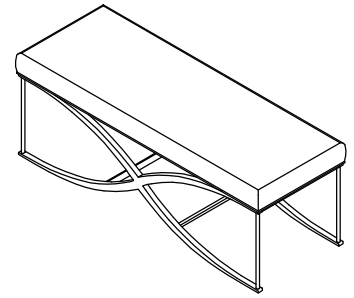


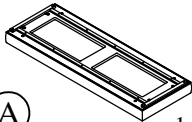
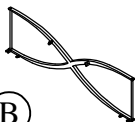
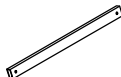

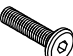



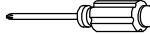
**Warning :**

- Be sure to check all packing material carefully for small parts, which may have come loose inside the carton during shipment.
- To prevent possible scratches and damage, this furniture **MUST BE ASSEMBLED BY TWO PEOPLE** on a soft surface such as a blanket or carpet.

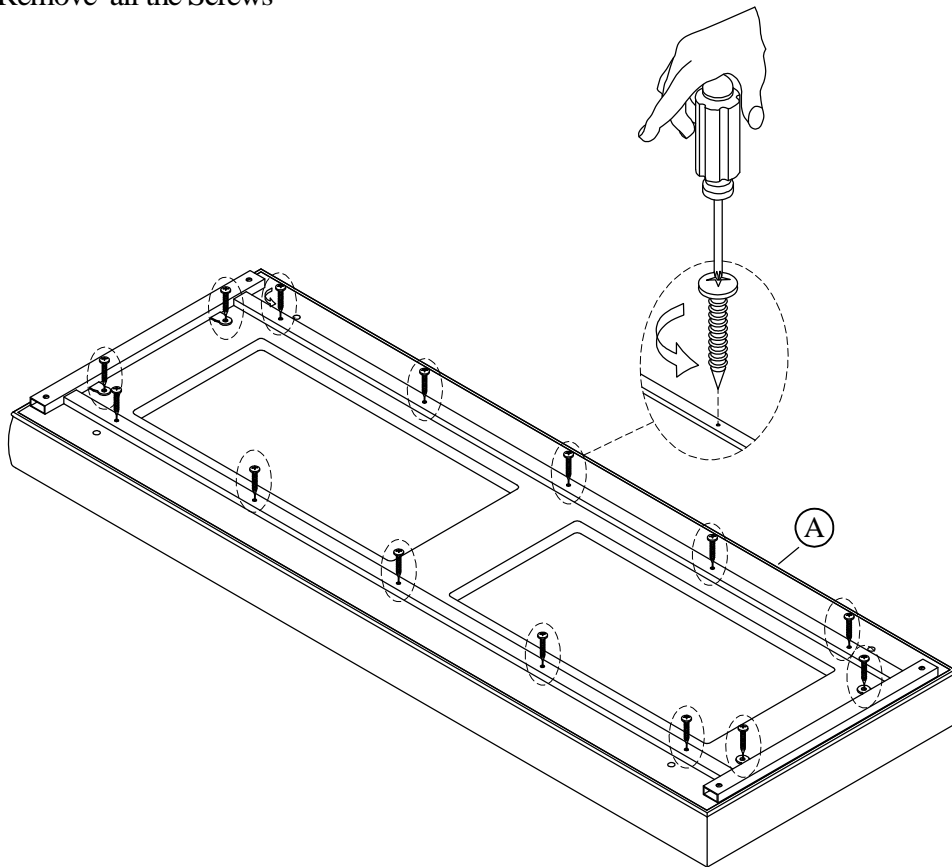


#50362  
48-In Bed Bench Uph

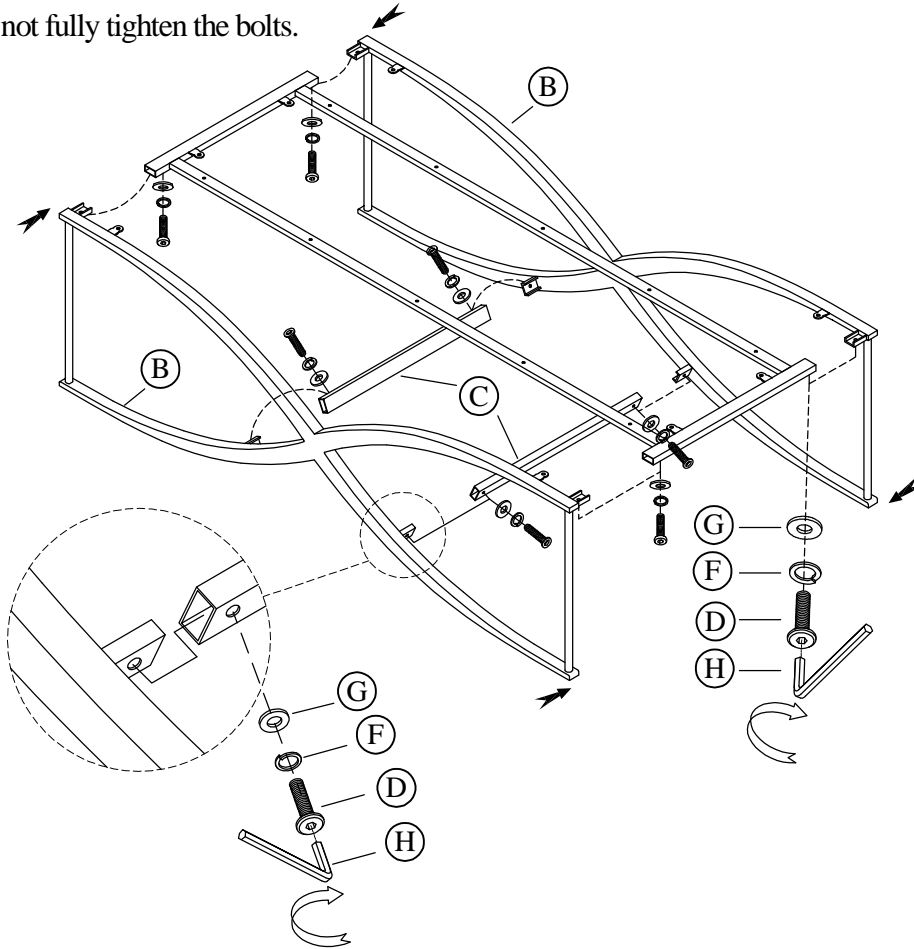
**Components and Hardware List**

<p>Bench Seat <b>(A)</b>  1 pc.</p>	<p>Metal Frame Leg <b>(B)</b>  2 pcs.</p>	<p>Metal stretcher <b>(C)</b>  2 pcs.</p>	<p>Allen Head Bolt Ø1/4"-20 x 1/2" <b>(D)</b>  8 pcs.</p>	
<p>Allen Head Bolt Ø1/4"-20 x 5/8" <b>(E)</b>  4 pcs.</p>	<p>Spring Washer Ø1/4" <b>(F)</b>  12 pcs.</p>	<p>Flat Washer Ø1/4" x 16*2mm <b>(G)</b>  12 pcs.</p>	<p>Allen Key 4mm <b>(H)</b>  1 pc.</p>	<p>Screw Driver not included </p>

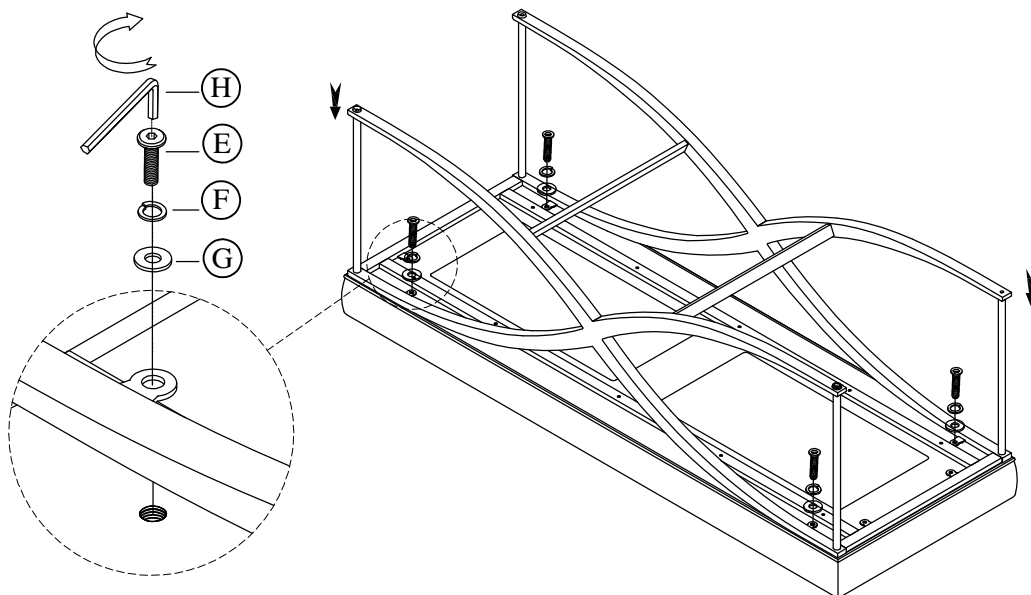
**STEP 1: Remove all the Screws**



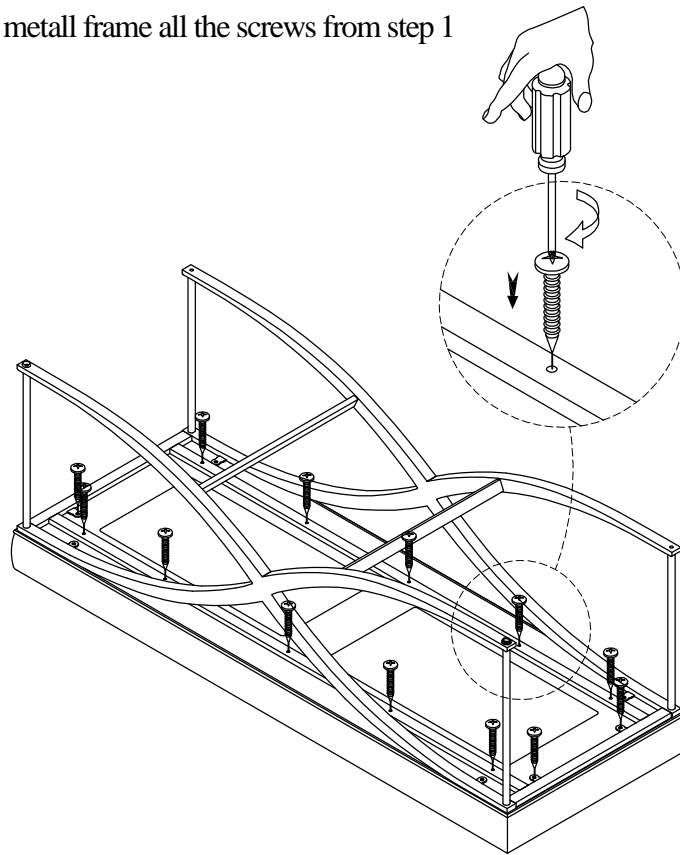
STEP 2: Do not fully tighten the bolts.



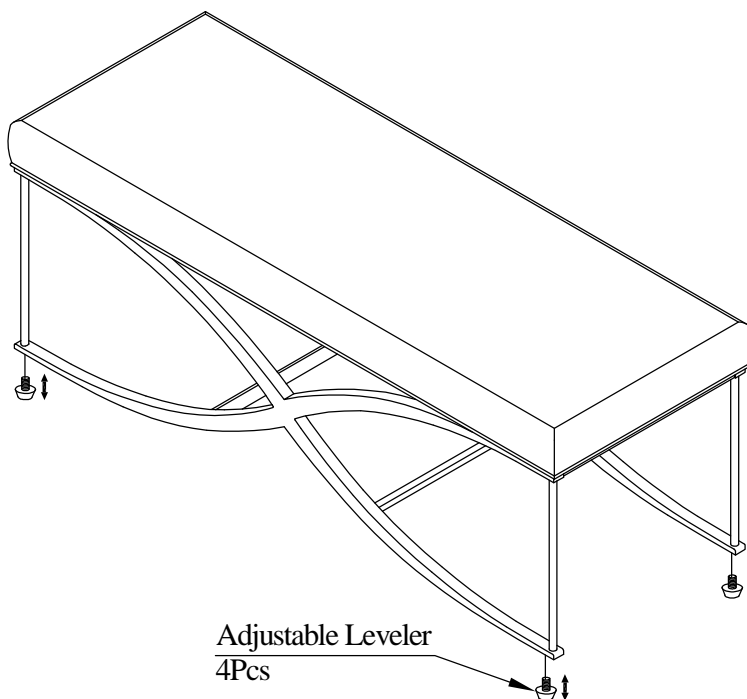
STEP 3: Using the Allen key to tighten all bolts



STEP 4: Re - attach metall frame all the screws from step 1



Complete



Adjustable Leveler  
4Pcs